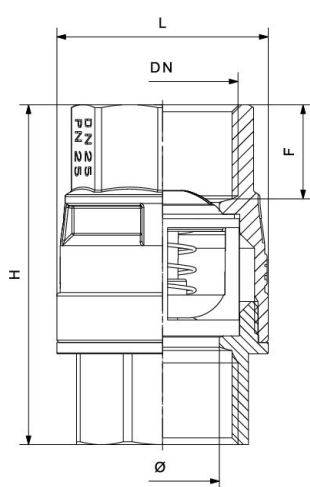




RIV 2270

Spring check valve heavy type
full bore F/F
techno-polymer disc

Tech drawings and tables



DN	Code	Ø	H	L	F	PN	KG	P/box
1/2"	032270000004	15	56,3	30,5	16,5	40	0,127	30
3/4"	032270000005	20	61	38	17,4	32	0,189	18
1"	032270000007	25	74,8	46,5	20,7	25	0,317	14
1"1/4	032270000008	32	93,5	56,5	22,5	25	0,520	12
1"1/2	032270000009	40	99,4	68	22,8	16	0,791	6
2"	032270000011	50	110	83	27	16	1,212	6

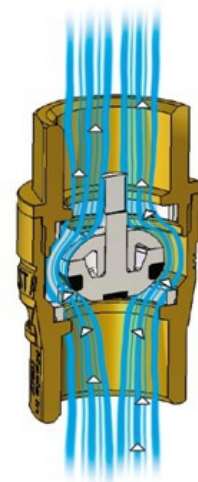
Advantages

Thanks to the special design of the "**Full Flow Box**" check device, the STARK valve minimizes the turbulences and as a consequence its noise and assures a high water flow in conformity with UNI EN 1074-3 standard.

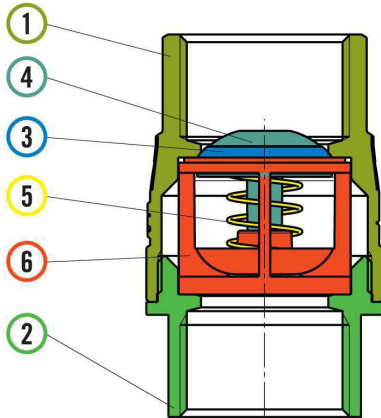
The shape and the used materials of the "**Full Flow Box**" check device help in assuring the functionality of the check system all the time, because the water flow cleans automatically the check device from the hard deposit or other impurities.

It's possible to install the STARK check valve in all positions: unlike the traditional check valves, the "**Full Flow Box**" system is not subject to swinging which could endanger the tightness or quicken the wear.

EN 10226 Rp female long threaded connections.



Technical data



Materials

1	Body	Brass	CW617N
2	Body end	Brass	CW617N
3	Gasket	SEBS	
4	Disc	POM	
5	Spring	Stainless steel	AISI 302
6	Basket	POM	

Connections

EN 10226 Rp

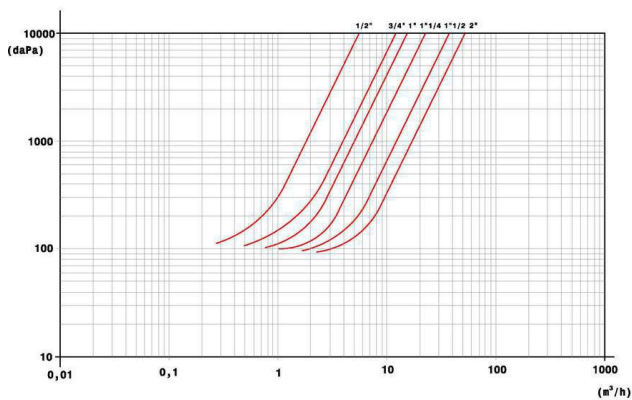
Limit

-10°C (without liquid) +90°C

Notes

The max. working pressure (PN) means at a room temperature of about 23°C.
Minimum opening pressure 0,05 bar.

Pressure Loss Chart



Kv & Cv Coefficients

Size	Kv	Cv
1/2"	7,3	-
3/4"	12,1	-
1"	17,5	-
1"1/4	27,6	-
1"1/2	49,0	-
2"	67,3	-

Approvals

